

VISIANO 10-1
THE EXAMINATION LIGHT



Established 1922

Medical and Surgical Requisites Pty Ltd

Call within Brisbane 07 3859 2900 33 Fulcrum Street Richlands Queensland 4077 www.medsurg.com.au
Phone 1300medsurg (1300 633 787) Email medical@medsurg.com.au Fax 07 3859 2995



VISIANO 10-1

OVERVIEW OF THE MAIN FEATURES.



Timeless, slimline design
with ergonomic handle



Optimized cable connection extends
the swivel range



Diamond cluster optics for bright
homogeneous light



Established 1922

Medical and Surgical Requisites Pty Ltd

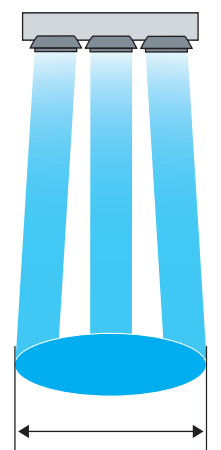
Call within Brisbane 07 3859 2900 33 Fulcrum Street Richlands Queensland 4077 www.medsurg.com.au
Phone 1300medsurg (1300 633 787) Email medical@medsurg.com.au Fax 07 3859 2995





The VISIANO 10-1 is an LED examination light which has been reduced to the essentials but that doesn't mean sacrificing professional light quality. For everyday use, the VISIANO 10-1 will win you over with its excellent illumination intensity and large light field. The sturdy flexible arm ensures positional accuracy and good durability. The sealed construction protects against contamination.

- Professional light quality: thanks to unique diamond optics and premium LEDs, homogeneous light field and high illumination intensity, low-shadow, first-class color rendering (CRI >93)
- Durable, safe and economical: low energy consumption, integrated converter, maintenance free casing, high quality aluminum linkage and durable friction-joints
- Reach suitable for everyday purposes: 280° rotation of the luminaire head, long arm reach
- Certified safety: Medical device according to IEC 60601-1, unique in this class



Ø 180 mm
approx. 50,000 lx / 0.5 m

Illumination area



Established 1922

Medical and Surgical Requisites Pty Ltd

Call within Brisbane 07 3859 2900 33 Fulcrum Street Richlands Queensland 4077 www.medsurg.com.au
Phone 1300medsurg (1300 633 787) Email medical@medsurg.com.au Fax 07 3859 2995



**DEFINES THE STANDARD:
BEST LIGHTING.**



Established 1922

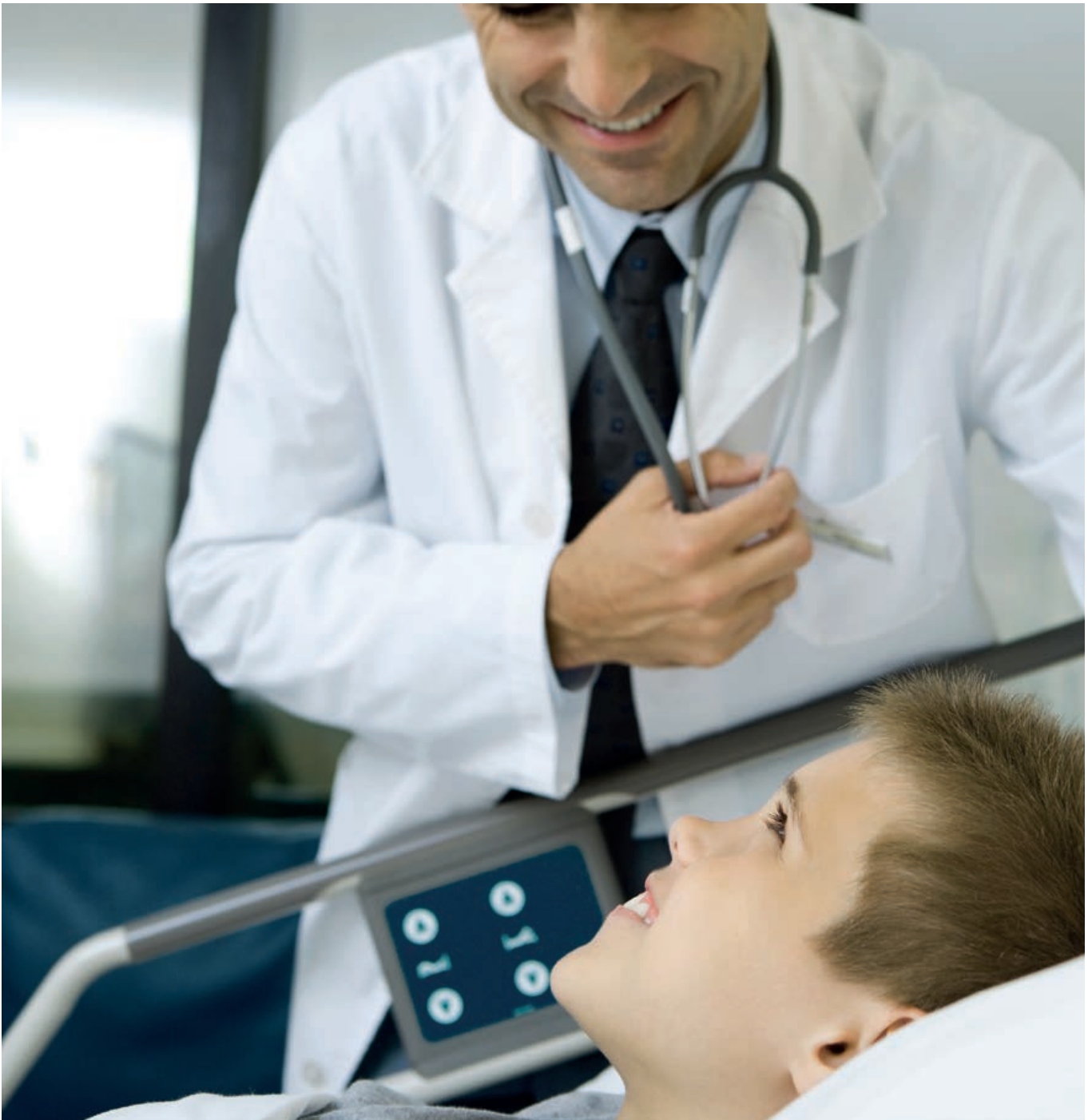
Medical and Surgical Requisites Pty Ltd

Call within Brisbane 07 3859 2900
Phone 1300medsurg (1300 633 787)

33 Fulcrum Street Richlands Queensland 4077
Email medical@medsurg.com.au

www.medsurg.com.au
Fax 07 3859 2995





Thanks to the 16 mm pin, the VISIANO 10-1 can be used universally in doctors' surgeries and in the clinical sector. Using the wide range of accessories it can be mounted on a roller stand, on the wall or on a rail. The ergonomic handle and intuitive I/O switch ensure easy handling. The VISIANO 10-1 scores highly in terms of hygiene too, with a smooth surface for easy cleaning.



Rail mount

Roller stand



Established 1922

Medical and Surgical Requisites Pty Ltd

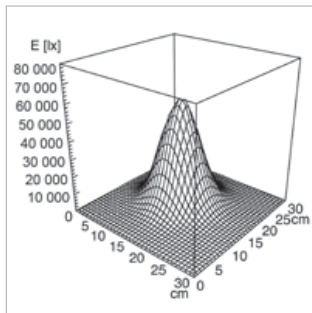
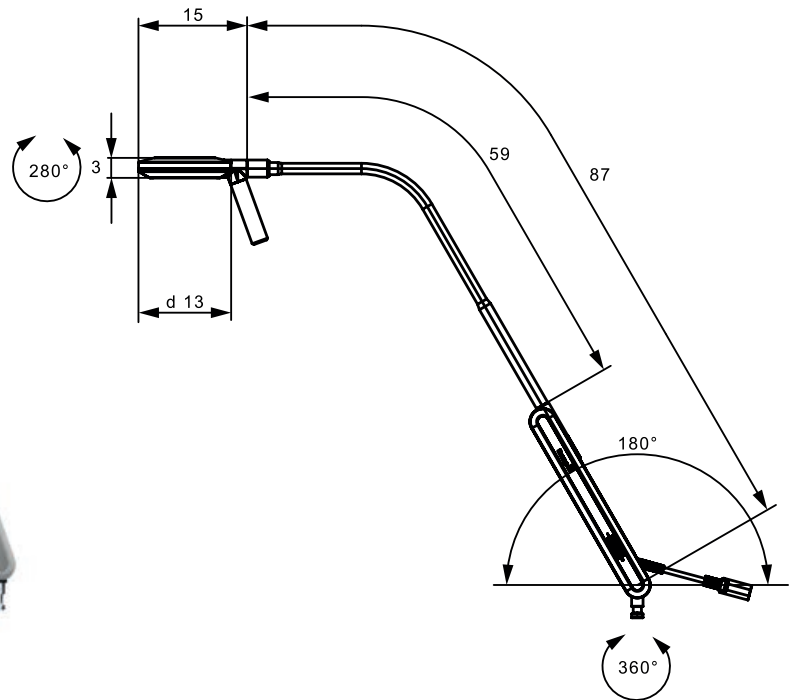
Call within Brisbane 07 3859 2900
Phone 1300medsurg (1300 633 787)

33 Fulcrum Street Richlands Queensland 4077
Email medical@medsurg.com.au

www.medsurg.com.au
Fax 07 3859 2995



VISIANO 10-1



VISIANO 10-1

ORDER NO.

VISIANO 10-1 P S10

D15.732.000 - pure white

VISIANO 10-1 compact

- intuitive and ergonomic
- homogeneous, monochrome light field (ø 180 mm, ca. 50,000 lx / 0.5 m)
- universal mounting options
- rotatable luminaire head
- integrated converter
- sealed casing

* -10% / +20% tolerance

VISIANO 10-1 technical

Illumination intensity	approx. 50,000 lx / 0.5 m *
Color temperature	4,400 K *
Illumination field 0.5 m	180 mm *
Light color	approx. 4,400 K
Color rendering	CRI > 93
Operation	I/O switch on the arm
Standards	IEC 60601-1
Features	<ul style="list-style-type: none"> • ergonomic handle • Luminaire head can be turned 280°



Medical and Surgical Requisites Pty Ltd

Call within Brisbane 07 3859 2900
Phone 1300medsurg (1300 633 787)

33 Fulcrum Street Richlands Queensland 4077
Email medical@medsurg.com.au

www.medsurg.com.au
Fax 07 3859 2995



ACCESSORIES



ROLLER STAND

Material	Steel
Composition	– Tubing: white – Foot: plastic – Casters: plastic double casters, with 5 brakes
Dimensions	1 m, Ø 700 mm
Weight (net)	7.5 kg
for stud Ø	16 mm-W with removal protection with cable suspension device
ORDER NO.	D15.595.000



RAIL MOUNTING

Material	Aluminum
Composition	natural anodized
Wall rail system	25-35 x 8-10 mm
Weight (net)	0.16 kg
for stud Ø	16 mm-W with removal protection
ORDER NO.	D13.269.000



WALL BRACKET

Material	Polyamide GF
Weight (net)	0.14 kg
for stud Ø	16 mm-W with removal protection with cable hole
ORDER NO.	D13.231.000 - pure white



Medical and Surgical Requisites Pty Ltd

Call within Brisbane 07 3859 2900 33 Fulcrum Street Richlands Queensland 4077 www.medsurg.com.au
 Phone 1300medsurg (1300 633 787) Email medical@medsurg.com.au Fax 07 3859 2995

